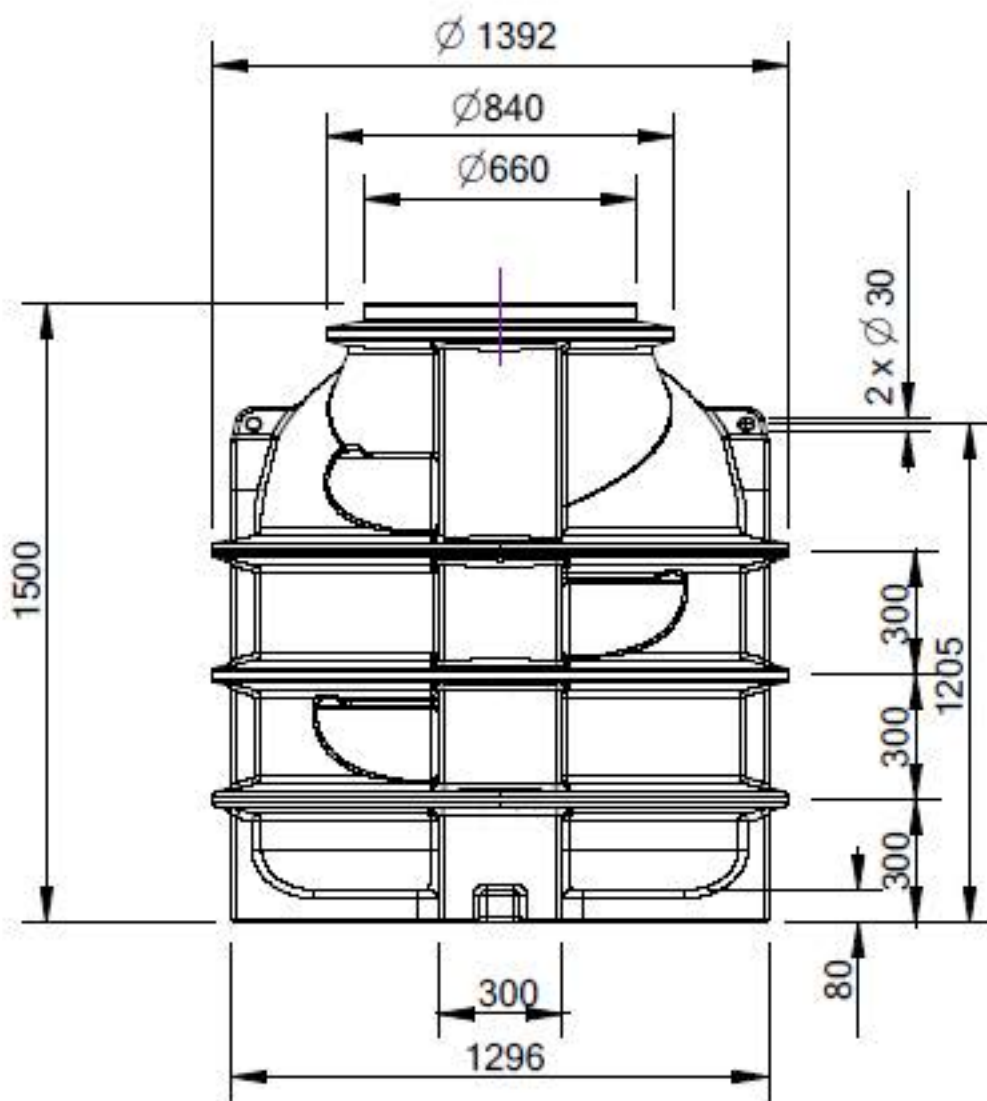
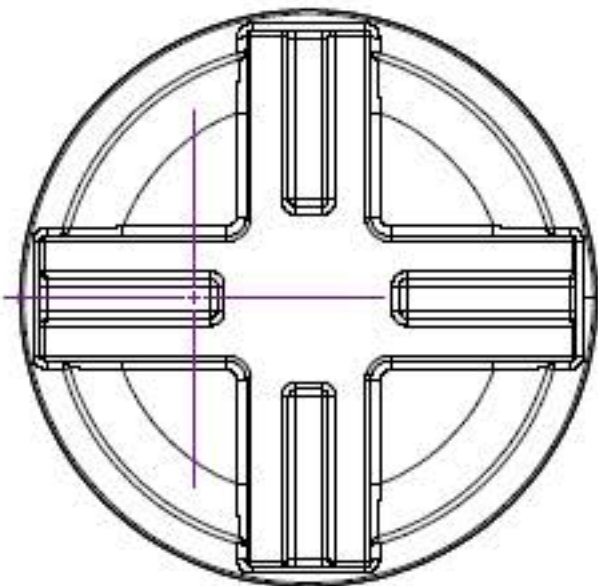
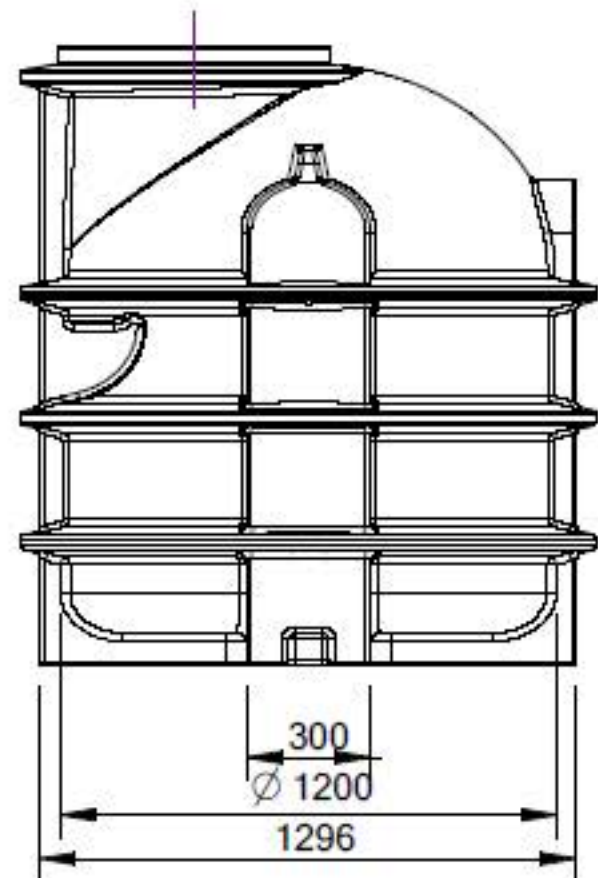
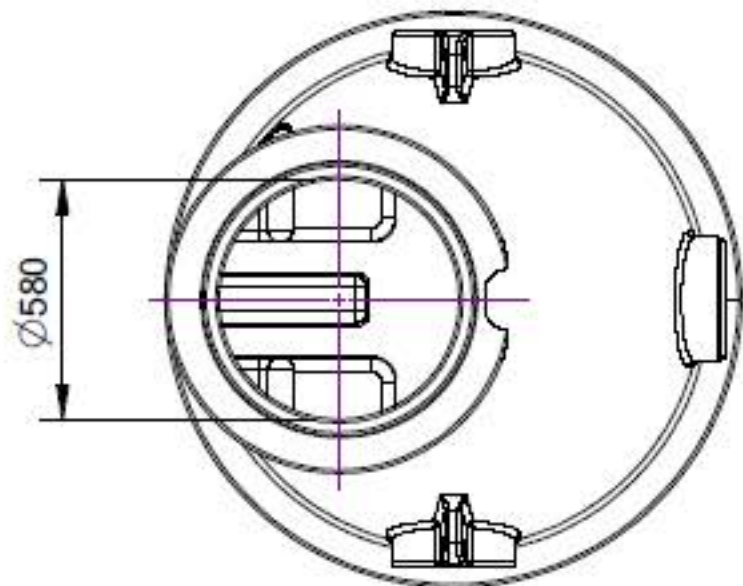


1	2	3	4	5	6
RevNo	Revision note			Date	Signature
					Checked



Itemref	Quantity	Title/Name, designation, material, dimension etc	PE 80 kg, 1,7 m3	Article No./Reference
Drawn by	Checked by	Approved by - date	File name	Date
Ing. Jan Burian				08.11.2020
				Scale
				1:1

ROTO-V-1200/1500

Edition	Sheet
	1 OF 1